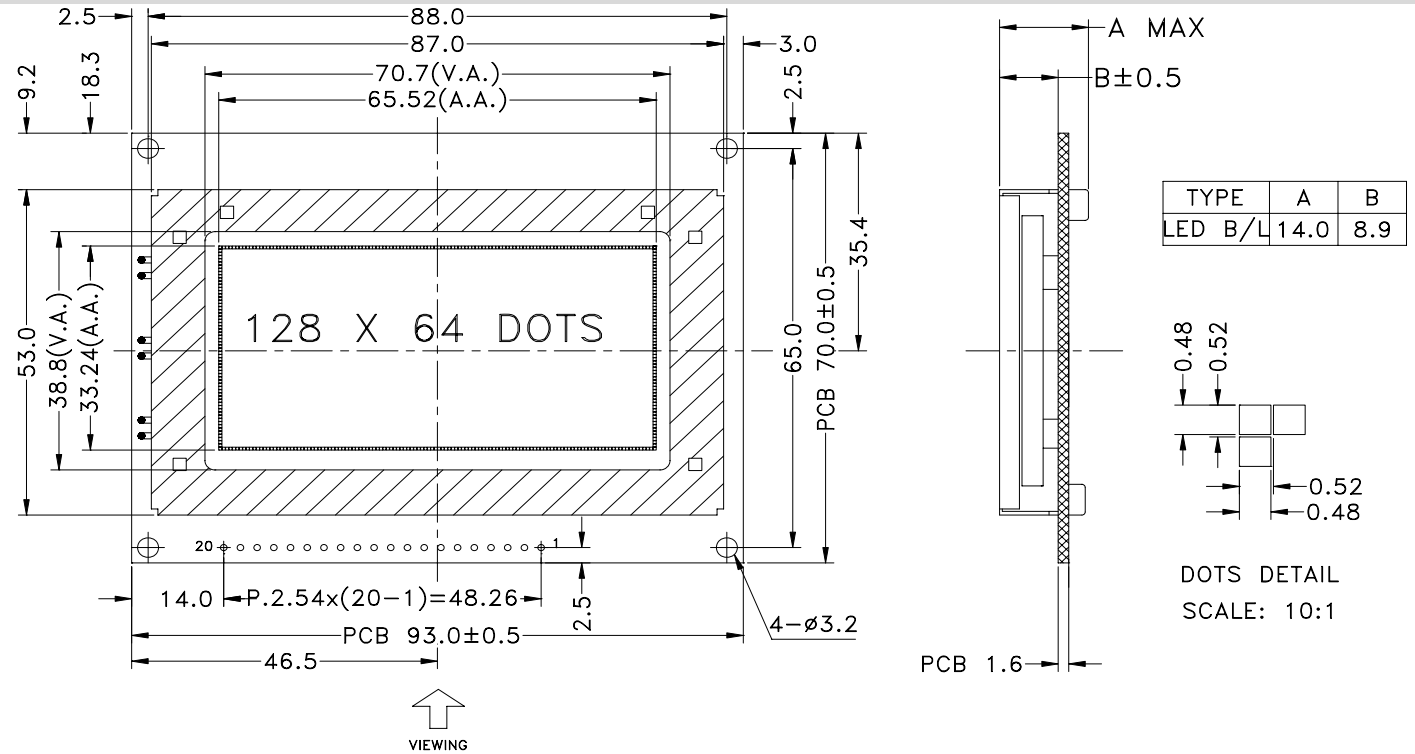


Outline Dimension



Graphic Type

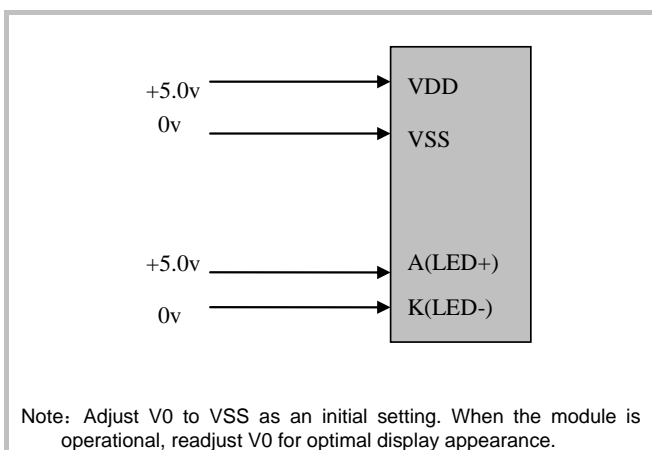
Feature :

- 128x64 dot-matrix
- STN/Transmissive/Negative/Blue
- Backlight: White /side Backlight
- Operating Temp.: -10°C ~ +60°C
- 1/65 duty cycle, 1/9 Bias
- Built-in Controller (NT7534H or equivalent)
- Viewing angle: 6 o'clock

Absolute Maximum Rating :

Item	Symbol	Standard value			Unit
		M _{IN}	T _{YP}	M _{AX}	
Power supply for logic	V _{DD} -V _{SS}	0.3	--	3.6	V
Input voltage	V _I	0	--	V _{DD}	V

Adjusting Display Contrast :



Electrical Characteristic : (V_{SS}=0V, T_a = 25°C)

Parameter	Symbol	Condition	M _{IN}	T _{YP}	M _{AX}	Unit
Supply voltage for logic	V _{DD}	--	4.8	5.0	5.2	V
Supply current for logic	I _{DD}	--	--	1	--	mA
Operating voltage for LCD	V _{LCD}	-10°C	--	--	--	V
		+25°C	--	10	--	V
		+60°C	--	--	--	V
Supply voltage for Backlight	V _{BL}	--	--	5.0	--	V
Supply current for Backlight	I _{BL}	--	--	45	--	mA

Interface Pin Connections :

Pin No.	Symbol	Level	Description
1	GND	0V	Ground.
2	VDD	+5.0V	Supply voltage for logic operating.
3	NC	--	Non-connection.
4	RS	H/L	This is connected to the least significant bit of the normal MPU address bus, and it determines whether the data bits are data or command. A0 = "H": Indicates that D0 to D7 are display data. A0 = "L": Indicates that D0 to D7 are control data.
5~6	NC	--	Non-connection.
7	CLK	H/L	the serial clock input
8	SID	H/L	serial data input
9	RES	H/L	When /RES is set to "L", the settings are initialized. The reset operation is performed by the /RES signal level
10~14	NC	--	Non-connection.
15	/CS	H/L	This is the chip select signal. When /CS="L", then the chip select becomes active, and data/command I/O is enabled.
16~18	NC	--	Non-connection.
19	LED-	0V	The backlight ground.
20	LED+	+5.0V	Power supply for Backlight