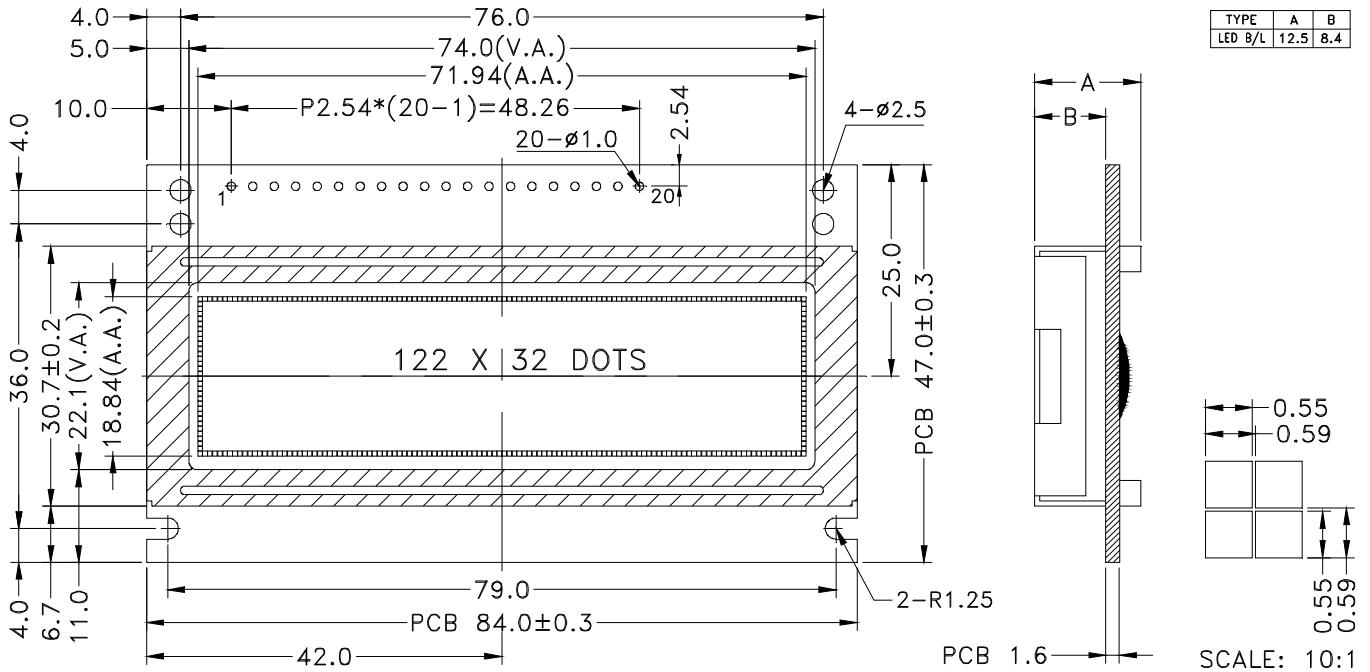


Outline Dimension



Graphic Type

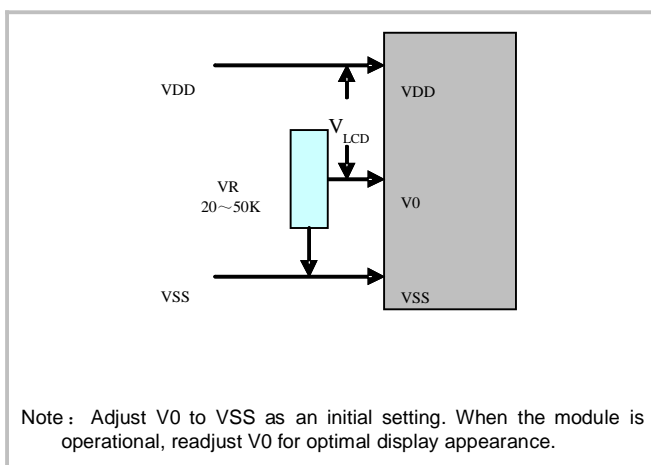
Feature :

- 1、122x32 dot-matrix
- 2、FSTN//Transflective/Positive/B-W
- 3、Backlight: white/side Backlight
- 4、Operating Temp.: -10°C ~ +60°C
- 5、1/32 duty cycle, 1/6 Bias
- 6、Built-in Controller (AT15200A or equivalent)
- 7、Viewing angle: 6 o'clock

Absolute Maximum Rating :

Item	Symbol	Standard value			Unit
		M _{IN}	T _{YP}	M _{AX}	
Power supply for logic	V _{DD} -V _{SS}	-0.3	--	7.0	V
Input voltage	V _I	-0.3	--	V _{DD} +0.3	V

Adjusting Display Contrast :



Electrical Characteristic : (V_{SS}=0V, T_a = 25°C)

Parameter	Symbol	Condition	M _{IN}	T _{YP}	M _{AX}	Unit
Supply voltage for logic	V _{DD}	--	3.3	3.5	3.7	V
Supply current for logic	I _{DD}	--	--	47	--	mA
Operating voltage for LCD	V _{LCD}	-10°C	--	--	--	V
		+25°C	--	5.0	--	V
		+60°C	--	--	--	V
Supply voltage for Backlight	V _{BL}	--	--	3.5	--	V
Supply current for Backlight	I _{BL}	--	--	45	--	mA

Interface Pin Connections :

Pin No.	Symbol	Level	Description
1	VSS	0V	Ground.
2	VDD	+3.5V	Supply voltage for logic operating.
3	V0	--	Adjusting voltage for LCD driving (variable).
4	A0	H/L	A0=H: D0 to D7 are display control data. A0=L: D0 to D7 are display data.
5-6	NC	--	No connection
7	E1	H/L	Enable signal (E) for the 68-type microcontroller, or READ (RD) signal for the 80-type microcontroller for first half screen. An enable signal for writing or reading data for 6800 mode MCU. Read enable signal for 8080 mode MCU
8	E2	H/L	Enable signal (E) for the 68-type microcontroller, or READ (RD) signal for the 80-type microcontroller for lower half screen. An enable signal for writing or reading data for 6800 mode MCU. Read enable signal for 8080 mode MCU
9	R/W	H/L	R/W = "H": Read mode. R/W = "L": Write mode for 6800 mode MCU Write enable signal for 8080 mode MCU.
10-17	DB0-DB7	H/L	8-bit bi-directional data bus.
18	RES	H/L	Reset signal, If the voltage level after the reset pulse stays at HIGH, interface timing for the 6800 mode is selected. reset pulse stays at LOW, then interface timing for the 8080 mode is selected.
19	A	3.5V	Power supply for Backlight
20	K	0V	The backlight ground.