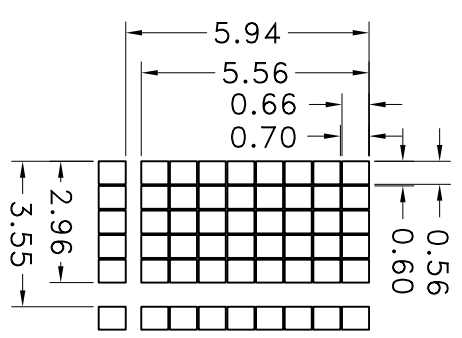
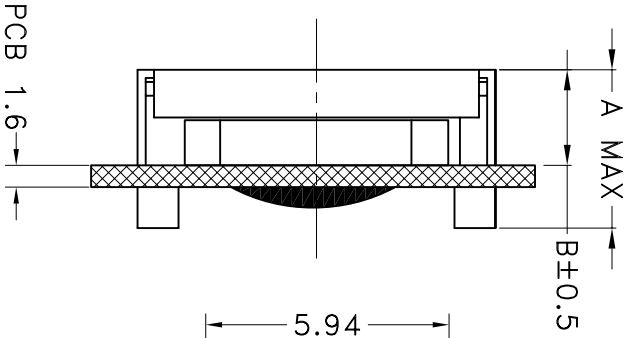
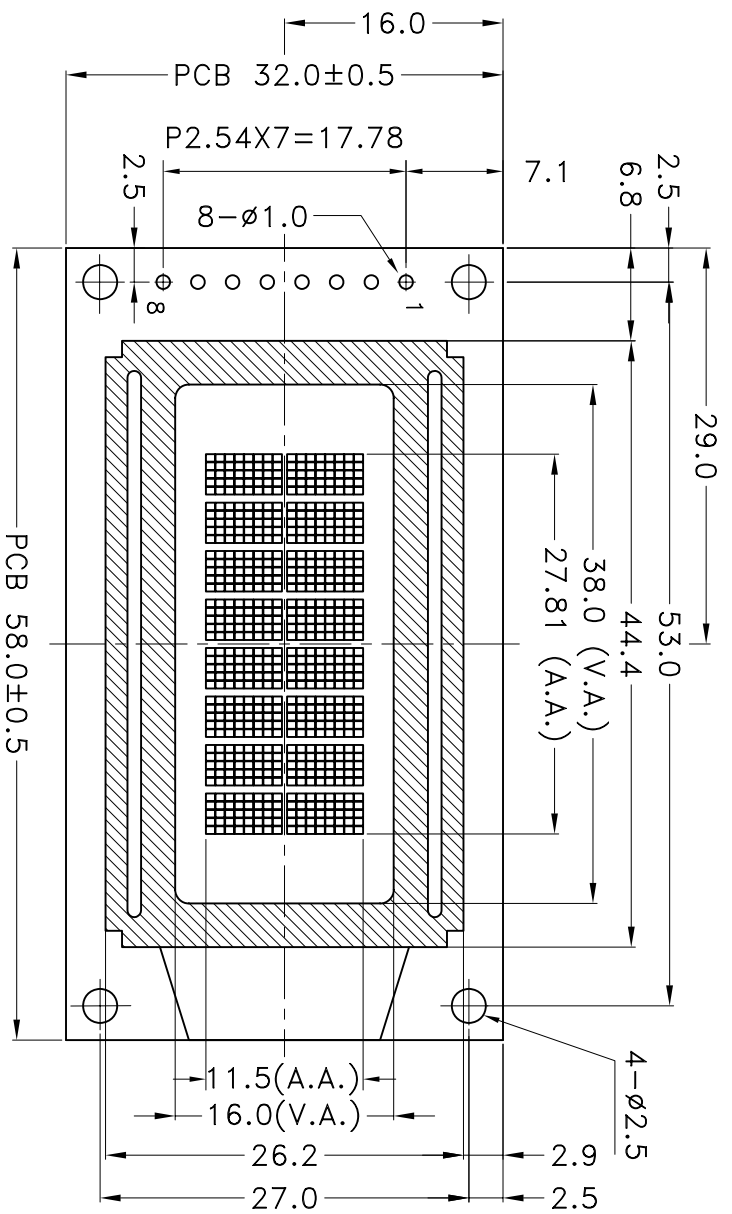


VERSION	CHANGE CONTENT	DATE
V00	FRIST ISSUE	2013-04-28

TYPE	A	B
LED B/L	12.1	7.0



DETAIL DOTS
SCALE: 3:1

PIN	1	2	3	4	5	6	7	8
NAME	VSS	VDD	/CS	SI	SCL	/RST	LED+	LED-

SPECIFICATIONS

1. DISPLAY TYPE: STN/TRANSMISSIVE/NEGATIVE/BLUE
2. LCD DRIVING VOLTAGE: 4.7V
3. LOGIC VOLTAGE: 5.0V
4. VIEWING DIRECTION: 12 O'CLOCK
5. OPERATING TEMP: -20° C--+70° C
6. STORAGE TEMP: -30° C--+80° C
7. DRIVE MODE: 1/16 DUTY, 1/5 BIAS
8. BACKLIGHT: WHITE/SIDE BACKLIGHT/5.0V
9. OTHER:

NOTE:

MECHANICAL TOL.±0.3UNLESS SPECIFIED

DESCRIPTION:

C/D

SCALE: FIT
SHEET: 1 OF 1
TINSHARP INDUSTRIAL CO.,LTD.

UNIT: mm
PROJECTION
MODEL: TC802C-14
SERIAL NUMBER: JULY0342

APP: DATE: CHK: DATE: DWN: DATE: